

FAVORIT 33060 i

Dishwasher

User Instructions



Dear customer,

Please read these user instructions carefully.

Above all please observe the safety instructions on the first few pages of these user instructions! Please keep these user instructions for later reference. Pass them on to any subsequent owner of the appliance.



The warning triangle and/or specific words (**Warning!**, **Caution!**, **Important!**) are used to highlight instructions that are important for your safety or for the function of the appliance. It is imperative that these instructions are observed.



This symbol or numbered instruction steps lead you step for step through the operation of the appliance.



Next to this symbol you receive additional information and practical tips on using the appliance.



Tips and instructions for the economical and environmentally conscious use of the appliance are marked with a clover leaf.

In the event of a malfunction, these operating instructions contain information on how to rectify faults yourself, see the "What to do, if..." section.

If these instructions are insufficient, please contact your nearest customer service centre.

In the case of technical problems, our customer service organisation is available to provide you with assistance at any time (you will find addresses and telephone numbers in the "Customer Service Centres" section).

In this respect please read the "Service" note on the rear of these user instructions.

Printed on paper manufactured with environmentally sound processes.
He who thinks ecologically acts accordingly ...

CONTENTS

Operating Instructions	5
Safety Instructions	5
Disposal	7
Economical and Ecological Dishwashing	7
Appliance Features and Control Panel	8
Control Panel	9
Prior to using for the first time	9
Adjusting the Water Softener	10
Filling with Special Salt for the Water Softener	11
Filling with Rinse Aid	12
Adjusting Rinse Aid Dosing	13
In Daily Use	14
Loading cutlery and dishes	14
Loading Cutlery	15
Loading Pans, Frying Pans and Large Plates	16
Loading Cups, Glasses and Coffee Services	18
Filling with Detergent	19
Use of "3 in 1"/ Combi Detergent Tablets	20
Concentrated Detergent	21
Detergent tablets	21
Selecting the Wash Programme (Programme Table)	22
Starting the Wash Programme	23
Changing/Interrupting the Wash Programme	23
Switching Off the Dishwasher	24
Emptying the Dishwasher	24
Care and Cleaning	24
Cleaning the Filter	25
What to do, when	26
...there are problems with the operation of the dishwasher.	26
...the wash result is unsatisfactory.	27
Technical Data	28
Notes for Test Institutes	29

Installation and Connection Instructions	30
Installing the Dishwasher	30
Dishwashers That Can Be Integrated	31
Connecting the Dishwasher	32
Water Connection	32
Permitted water pressure	32
Connect the inlet hose	32
Water drain	34
Leak Prevention System	35
Electrical connection	35
Connections	36
Service Departments	37
Belgium	37
Guarantee Conditions	37
Belgium	37
Service	39

OPERATING INSTRUCTIONS



Safety Instructions

The safety aspects of AEG electrical appliances comply with accepted technical standards and the German Appliance Safety Law. Nevertheless, as a manufacturer we consider it our obligation to make you aware of the following safety information:

Installation, Connection and Placing into Operation

- The dishwasher may only be transported upright.
- Check the dishwasher for transport damage. Do not in any circumstances connect an appliance that is damaged. In the case of damage, please contact your supplier.
- Prior to placing the appliance in operation, ensure that the nominal voltage and type of supply on the rating plate match that of the supply where the appliance is to be installed. The fuse rating is also to be found on the rating plate.
- For information on how to correctly install and connect up your dishwasher, please read the „Installation“ section. Multiway plugs / connectors and extension cables must not be used. This could constitute a safety hazard.

Child Safety

- Children often do not recognise the hazards associated with the use of electrical appliances. It is therefore important that you ensure children are adequately supervised and that you do not allow children to play with the dishwasher – there is a risk that children can shut themselves inside the appliance (risk of suffocation!).
- Packaging materials (e.g. films, styrofoam) can be dangerous for children. Risk of suffocation! Keep packaging away from children.
- Detergents can cause burns to the eyes, mouth, and throat, or even cause choking! Please observe the manufacturer's safety instructions for cleaners and detergents.
- The water in your dishwasher is not suitable for drinking. If there are still remnants of detergent in the appliance, there is a risk of burns!
- When disposing of the dishwasher: unplug from the mains, cut off and dispose of the mains cable. Break the door lock so that the door no longer shuts.

General Safety

- Repairs to the dishwasher are only to be carried out by qualified service engineers. Improper repairs can give rise to significant hazards for the user. If your appliance needs repairing, please contact customer service or your dealer.
- Never place the dishwasher in operation if the mains cable, water inlet or drain hose is damaged; or the control panel, work top or plinth area is damaged such that the inside of the appliance is freely accessible.
- If the mains lead is damaged, or is to be replaced for a longer lead, the cable (obtainable from AEG customer service) must be replaced by a service engineer authorised by AEG.
- Never unplug the appliance by pulling on the cable, always pull the plug.
- Additions or modifications to the dishwasher are not permitted for safety reasons.
- Ensure that the door of the dishwasher is always closed when it is not being loaded or unloaded. In this way you will avoid anybody tripping over the open door and hurting themselves.
- Sharp knives and other item of cutlery with sharp edges must be laid in the upper rack or placed in the cutlery rack with the point facing downwards.

Correct Use

- Only wash household dishes using the dishwasher. If the appliance is used for other purposes, or is used incorrectly, the manufacturer cannot accept any liability for any damage caused.
- Prior to use, ensure that the manufacturers of the special salt, detergent, and rinse aid employed specifically permit the usage of their products in household dishwashers.
- Do not put any solvents in the dishwasher. There is a risk of an explosion!
- The anti-flood system provides dependable protection against damage due to leaks. For this system to function correctly, the following preconditions must be met:
 - The appliance must remain connected to the mains even when it is switched off.
 - The dishwasher must be correctly installed.
 - Always shut off the water supply at the tap when the dishwasher is not to be used for longer periods, e.g. when you are away on holiday.

- Do not sit or stand on the open door, the appliance may tip over.
- In the event of a fault, first close the tap, then switch off the appliance and unplug it from the mains. If the appliance is permanently wired to the mains: switch off the fuse(s) or unscrew them.



Disposal

Disposing of the Packaging Material

Dispose of the dishwasher packaging material correctly. All the packaging materials used are harmless to the environment and can be recycled.

- Plastic parts are marked with standard international abbreviations:
 - >PE< for polyethylene, e.g. sheet wrapping material
 - >PS< for polystyrene, e.g. padding material (always CFC-free)
 - >POM< for polyoxymethylene, e.g. plastic clips
- Cardboard packaging is manufactured from recycled paper and should be deposited in the waste paper collection for recycling.

Disposal of old appliances

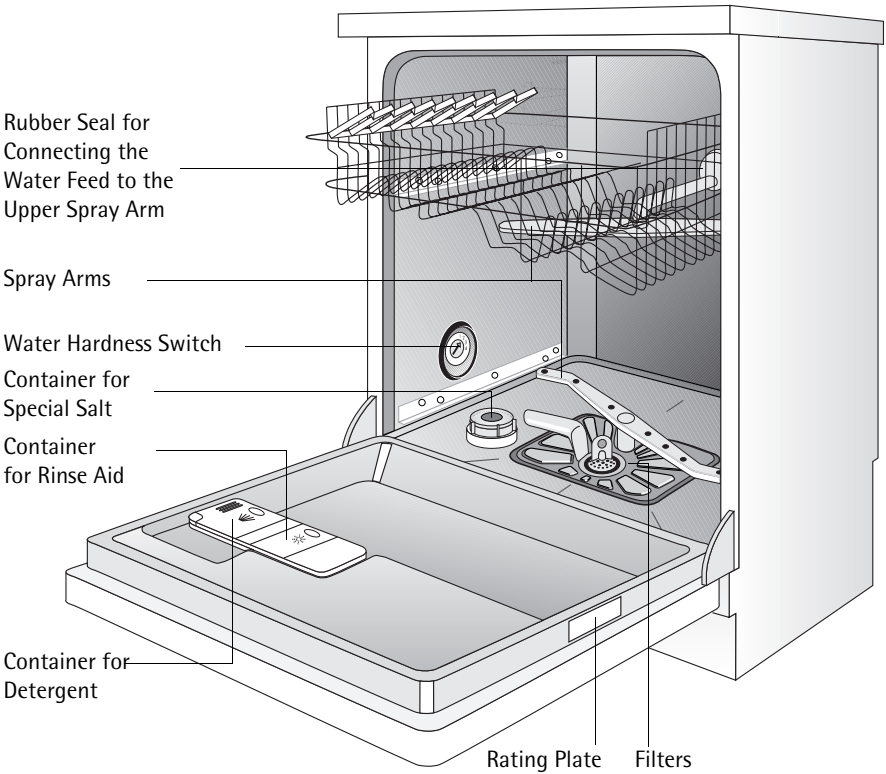
As and when you cease to use your dishwasher, please take it to a recycling centre or to your dealer who will, for a small contribution to the costs, dispose of it for you.



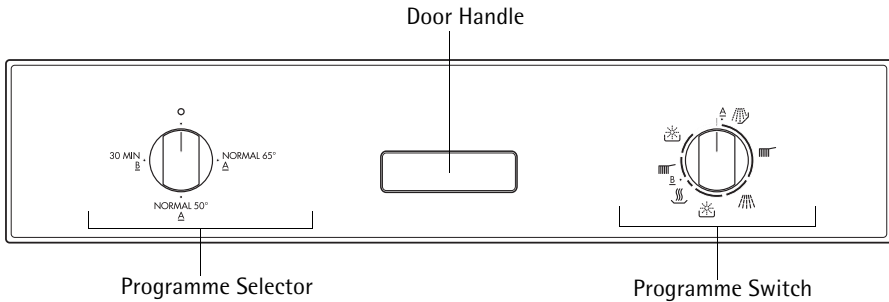
Economical and Ecological Dishwashing

- Only connect the dishwasher to the hot water supply if your hot water is not electrically heated.
- Ensure that the water softener is correctly adjusted.
- Do not pre-rinse dishes under running water.
- Select the wash programme to suit the nature and degree of the soiling on the dishes.
- Do not use more detergent, special salt or rinse aid than is recommended in these operating instructions and by the manufacturer of the respective product.

Appliance Features and Control Panel



Control Panel



Set the point at which the wash programme is to start using the **programme switch**. The programme switch rotates during the wash programme and indicates the position that has been reached in the programme.

Switch on the dishwasher and start a wash programme using the **programme selector**.

Prior to using for the first time

Prior to using for the first time, remove all the clips with which the dish racks are secured for transport.

Then perform the following steps:

- 👉 1. Adjust the water softener
2. Fill with Special Salt for the Water Softener
3. Fill with Rinse Aid

i Special salt and rinse aid must not be added if you use 3-in-1 detergent tablets.

Adjusting the Water Softener

To prevent the build up of scale on dishes and in the dishwasher, the dishes must be washed with soft, i.e. low lime content water. For this reason the dishwasher is fitted with a water softener in which tap water from a hardness of 4 °d (German degrees) is softened with the aid of special salt.



Your local water authority can advise you on the hardness of the water in your area.

The water softener has 4 settings.

Water Hardness		Turn the arrow on the water hardness switch to number
in °d ¹⁾	in ppm ²⁾	
36-50	640 - 900	4
22-35	390 - 630	3
15-21	260 - 380	2*
4-14	70 - 250	1
under 4	under 70	1 no salt necessary

1)(°d) German degree, measure of water hardness

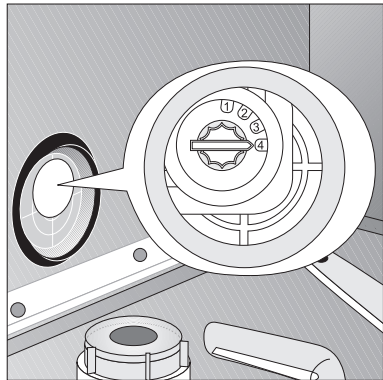
2)(ppm) parts per million (CaCO₃)

*Factory setting



Adjust the water softener in accordance with the table to suit your area:

1. Open the door on the dishwasher.
2. Remove the lower rack from the dishwasher.
3. Turn the water hardness switch to 1, 2, 3 or 4.
4. Replace the lower rack and close the door of the dishwasher.



Filling with Special Salt for the Water Softener



Use only special salt for dishwashers. Never fill the salt container with any another type of salt (e.g. culinary salt) or dishwasher detergent. This would irreparably damage the water softener.

Prior to filling with salt, please check each time that you really do have a packet of special salt in your hand.

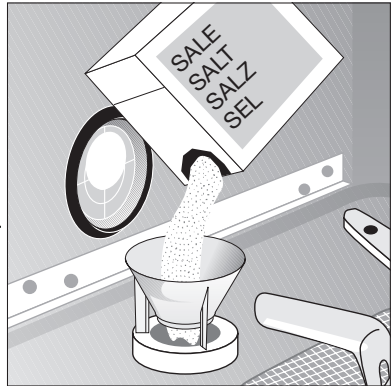
Fill with special salt:

- Prior to using the dishwasher for the first time
- If a green mark can be seen under the lid of the special salt container, then there is sufficient special salt. If the green mark cannot be seen, you must refill the container with special salt.



If the water hardness in your area is less than 4 °d, you do not need to use special salt. The green mark will then not be visible. The function of the appliance is not impaired.

1. Open the door, remove the lower rack.
2. Undo the lid on the salt container by turning it anticlockwise.
3. **Only when using for the first time:** fill the salt container with water.
4. Place the funnel supplied on the container opening.
Fill the container with special salt through the funnel; the capacity of the container is approx. 1.0–1.5 kg depending on the grain size. Do not overfill the salt container with special salt.



The water expelled by filling the salt container with special salt runs out of the salt container onto the base of the washing compartment. This is not a cause for concern, the water will be pumped out at the start of the next wash programme.

5. Clean any salt remnants on the container opening.
6. Turn the lid clockwise to the stop, otherwise special salt will leak into the wash water, this could lead to poor wash results. To avoid this run a rinse programme after filling the salt container with special salt. This will wash away salt water and any salt crystals that have been spilt.

- i** Depending on the size of the salt grains, it can take several hours for the salt to dissolve in the water and the green mark to become visible again. The setting of the water softener and thus the consumption of salt are dependent on the hardness of the local water.

Filling with Rinse Aid

Rinse aid ensures that your dishes gleam and are free from spots, and that your glasses are clear.

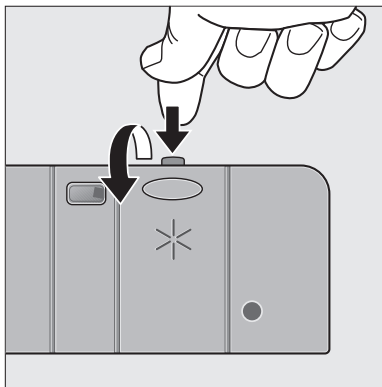
- !** Use only branded rinse aid for dishwashers. Never fill the rinse aid container with any another substance (e.g. concentrated vinegar). This would damage the appliance.

Fill with rinse aid:

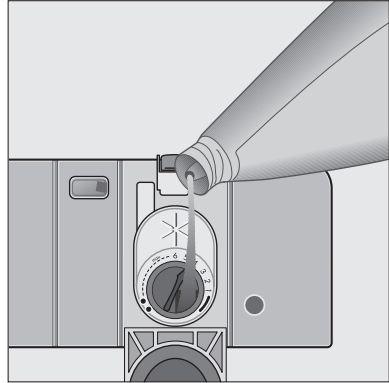
- Prior to using the dishwasher for the first time
- When a dark point surrounded by a light ring is to be seen in the indicator window on the container. If there is rinse aid in the container, the indicator window is uniformly dark.

The rinse aid compartment is on the inside of the dishwasher door.

- 1.** Open the door.
- 2.** Press the rinse aid compartment release button with your finger.
- 3.** Fully open the rinse aid compartment lid.



4. Fill with rinse aid exactly up to the level marked "max"; this corresponds to a quantity of approx. 140 ml.
5. Close the lid and press until it locks into place.
6. Wipe up any spilt rinse aid with a cloth. Otherwise too much foam will be formed during the wash.

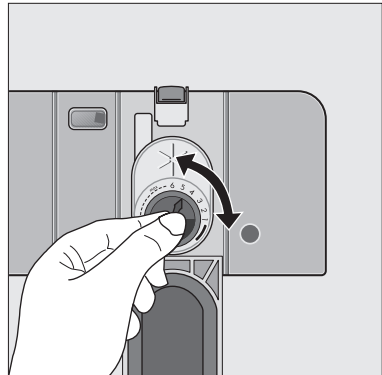


Adjusting Rinse Aid Dosing



As the dishes are washed rinse aid is released from the dispenser into the wash water. The dose is factory set at 4, and can be adjusted from 1 to 6. Only change the setting if streaks, milky spots or dried on water marks are visible on glasses or crockery.

1. Open the door of the dishwasher.
2. Press the rinse aid compartment release button with your finger.
3. Fully open the rinse aid compartment lid.
4. Set the dose level.
5. Close the lid and press until it locks into place.
6. If rinse aid has run out, wipe up with a cloth.



In Daily Use

- Is it necessary to refill with special salt or rinse aid?
- Load cutlery and dishes into the dishwasher
- Fill with dishwasher detergent
- Select a wash programme suitable for the cutlery and dishes
- Start the wash programme

Loading cutlery and dishes



Sponges, household cloths and any object that can absorb water may not be washed in the dishwasher.

For washing in the dishwasher the following cutlery/dishes

are not suitable:	are of limited suitability:
<ul style="list-style-type: none"> • Cutlery with wooden, horn, china or mother of pearl handles • Plastic items that are not heat resistant • Older cutlery with cement that is not temperature resistant • Bonded cutlery items or dishes • Pewter or copper items • Lead crystal glass • Steel items subject to rusting • Wooden platters • Items made from synthetic fibres 	<ul style="list-style-type: none"> • Only wash stoneware in the dishwasher if it is specifically marked as being dishwasher-safe by the manufacturer. • Glazed patterns may fade if machine washed frequently. • Silver and aluminium parts have a tendency to discolour during washing. Left-overs, e.g. egg white, egg yolk and mustard often cause discolouring and staining on silver. Therefore always clean left-overs from silver immediately, if it is not to be washed straight after use. • Some types of glass can become dull after a large number of washes.

- Before loading the dishes, you should:
 - Remove large left-overs.
 - Soften remnants of burnt food in pans.
- When loading the dishes and cutlery, please note:
 - Dishes and cutlery must not impede the rotation of the spray arms.
 - Load hollow items such as cups, glasses, pans, etc. with the opening downwards so that water cannot collect in the container or a deep base.
 - Dishes and items of cutlery must not lie inside one another, or cover each other

- To avoid damage to glasses, they must not touch
- Do not lay small objects (e.g. lids) in the cutlery rack

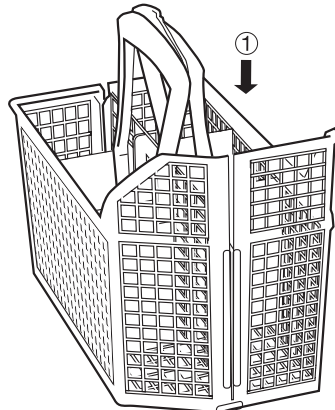
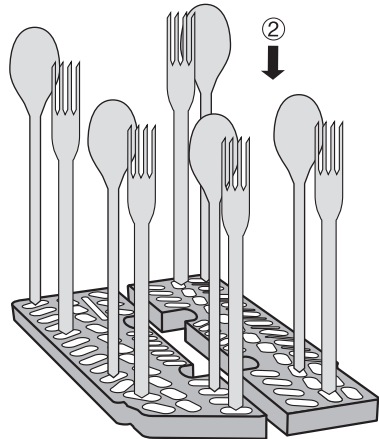
Loading Cutlery



Long, pointed items of cutlery in the cutlery rack are a hazard, particularly to children (see Safety Instructions).

To ensure that all items of cutlery are completely washed, you should

1. Place the grid insert on the cutlery rack
2. Place short knives, forks and spoons in the grid insert with their handles pointing downwards.
3. For larger items of cutlery, e.g. a whisk, half of the top for the cutlery basket can be left off.

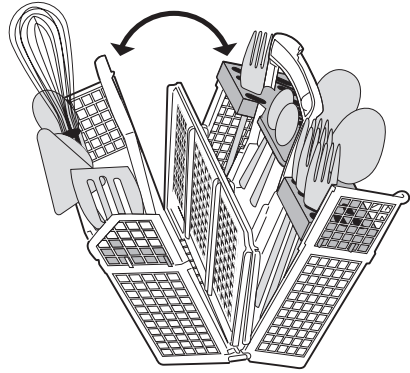


On some models of dishwasher it is possible to open the cutlery basket.



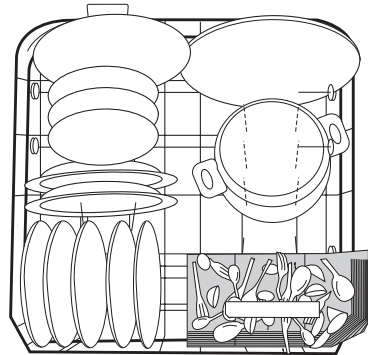
To ensure that the cutlery rack cannot open on removal from the appliance, you should always hold both parts of the two part handle.

1. Place the cutlery rack on a table or work surface
2. Open the two part handle
3. Remove cutlery
4. Close the two part handle.



Loading Pans, Frying Pans and Large Plates

Load large and heavily soiled dishes in the lower rack (Plates up to 29cm in diameter).




Your dishwasher has one of the following four types of lower rack:

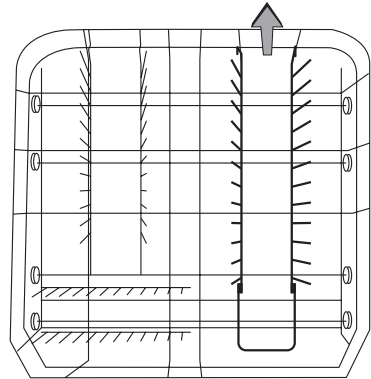
Type 1: None of the plate inserts in the lower rack can be removed

Type 2: The right-hand plate inserts in the lower rack can be folded over to the left

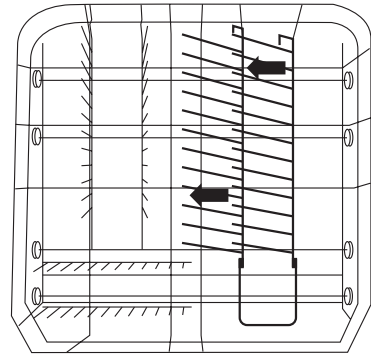


To ease the loading of large items, the two right-hand plate inserts in the lower rack can be folded over to the left:

 1. Slightly lift the right plate insert.



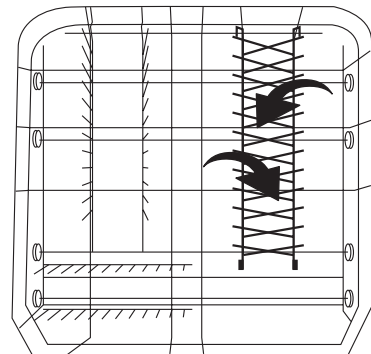
2. Fold the plate insert to the left.



Type 3: The right-hand plate inserts in the lower rack can be folded across one another



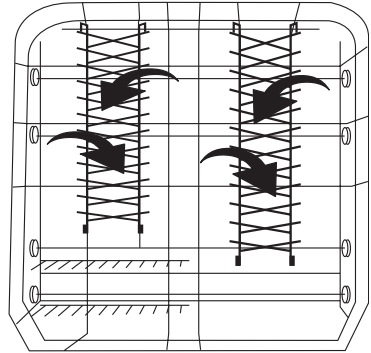
To ease the loading of large items, the two right-hand plate inserts in the lower rack can be folded across one another.



Type 4: The two rear plate inserts in the lower rack can be folded across one another

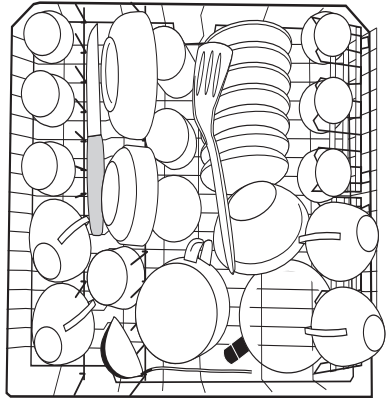


To ease the loading of large items, the two rear plate inserts in the lower rack can be folded across one another.

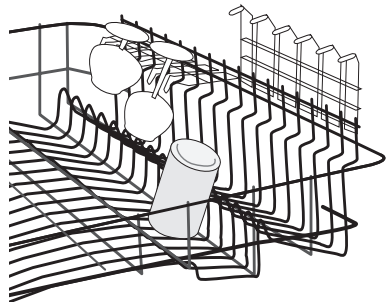


Loading Cups, Glasses and Coffee Services

Load small, delicate items and long pointed cutlery in the upper rack.



- Arrange items of crockery on the folding cups racks so that they are offset from each other and water can reach all items.
- The cup racks can be folded up out of the way for tall items.
- Lay or hang wine, champagne, and brandy glasses in the cut outs on the cup racks.
- Glasses, beakers, etc. can also be placed on the two rows of prongs on the left of the upper rack.



Filling with Detergent



Only use dishwasher detergent.

Fill with detergent:

– Prior to the start of a wash programme (not for the pre wash programme). The detergent is released into the wash water during the programme.

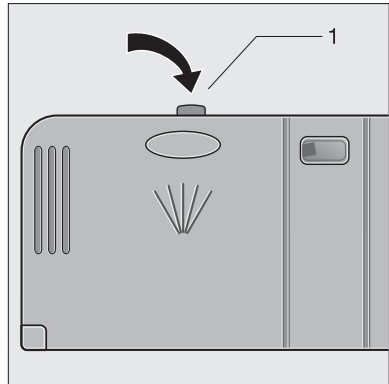


Please observe the manufacturer's dosing and storage recommendations as stated on the detergent packaging.

The detergent compartment is on the inside of the dishwasher door.



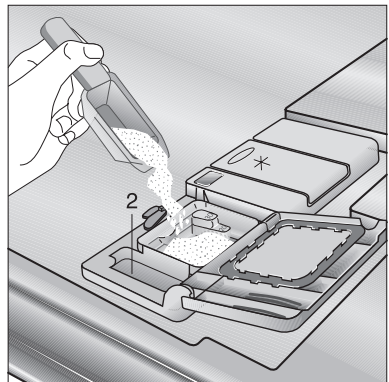
1. If the lid is closed: press release button (1). The lid springs open.



2. Fill the detergent dispenser with detergent. The markings indicate the dosing levels: "20" corresponds to approx. 20 ml of detergent, "30" corresponds to approx. 30 ml of detergent.
3. Close the lid and press until it locks into place.




If the dishes are very heavily soiled put additional detergent into the adjacent chamber (2). This detergent will take effect during the pre wash.



Use of "3 in 1"/ Combi Detergent Tablets

General Advice

These products are tablets with combined detergent/rinse-aid and salt functions.

-  1. Before using these products you should first check that the water hardness in your supply is compatible with the use of these products as per the detergent manufacturers instructions (on the product packaging).
2. These products should be strictly used according to the detergent manufacturers instructions.



Do not place the tablets in the tub or the cutlery basket as this will result in poorer wash results. The tablets should be placed in the detergent doser.

3. If you encounter problems when using "3 in 1" products for the first time then please contact the detergent manufacturers care line (the telephone number is given on the product packaging).

Special Advice

When using combination products, the rinse-aid and salt lights are no longer useful. It may be helpful therefore to switch the rinse aid off - please note that only some dishwashers have this facility - and selecting the lowest possible setting for water hardness.

For more information please refer to your instruction manual.

If you decide to switch to the use of a standard detergent system we advise that you:

- Refill both the salt and rinse aid compartments.
- Switch the waterhardness setting to the highest possible position and run for three normal cycles without a load.
- Readjust the waterhardness setting again according to the conditions for your region (as per the instruction manual).

Concentrated Detergent

Based on their chemical composition, dishwasher detergents can be split into two basic types:

- **conventional**, alkaline **detergents** with caustic components
- low alkaline **concentrated detergents** with natural enzymes.



The use of 50 °C wash programmes in conjunction with concentrated detergents reduces pollution and is good for your dishes; these wash programmes are specially matched to the dirt-dissolving properties of the enzymes in the concentrated detergent. For this reason 50 °C wash programmes in which concentrated detergents are used can achieve the same results that can otherwise only be achieved using 65 °C programmes.

Detergent tablets



Detergent tablets of different makes dissolve at different speeds. For this reason some detergent tablets cannot develop their full cleaning power during short programmes. Therefore please use wash programmes with pre wash when using detergent tablets.


Selecting the Wash Programme (Programme Table)

Choose the most suitable wash programme with the aid of this table:

Type of Dishes	Dinner Service and Cooking Utensils		Dishes without Pans
In Addition	-	with non-temperature resistant dishes	-
Type of Soiling	<ul style="list-style-type: none"> heavily soiled dried leftovers 	<ul style="list-style-type: none"> normally soiled 	<ul style="list-style-type: none"> just used, average to slightly soiled
		particularly suitable when concentrated detergents are used.	
Turn programme switch to	A	A	B
Turn programme selector to	NORMAL 65°	NORMAL 50° ¹	30 MIN ²
Programme Sequence ³	Pre Wash Main Wash 2x Rinsing Final Rinse Drying	Pre Wash Main Wash Rinsing Final Rinse Drying	- Main wash - Final rinse -
Consumption Figures: ⁴	↓	↓	↓
Duration	120 - 130 minutes	110 - 120 minutes	30 min.
Energy	1.15 - 1,35 kWh	1.05 kWh	0.8 kWh
Water	20 - 22 litres	18 litres	9 litres

- 1) Test programme for test institutes
- 2) This programme is not suitable when left-overs have dried on.
- 3) Noise levels vary at different stages of the wash programme as at some programme stages the dishes are washed more energetically so that they will be cleaned more thoroughly.
- 4) The consumption figures were determined under standard conditions. They are intended as a guide only and depend on the loading. For this reason figures may vary in practice.

Starting the Wash Programme

-  **1.** Ensure that when the dishes and cutlery are loaded in the dishwasher the spray arms are free to rotate.
- 2.** Open the water tap fully.
- 3.** Close the dishwasher door.
- 4.** Turn the programme switch clockwise to **A** or **B** (see "Programme Table").




For reasons of interference suppression, only operate the programme switch with the dishwasher switched off. The automated addition of detergent could also be triggered.

- 5.** Turn the programme selector to the required programme (see "Programme Table").

The selected wash programme will start. The programme switch rotates during the wash programme and indicates the position that has been reached in the programme.





If a wash programme has been started but the tap was closed, turn the programme selector to the  position, open the tap and start the programme again.

Changing/Interrupting the Wash Programme



Only change or interrupt a wash programme in progress if it is absolutely necessary. When the appliance is closed again, the air that has entered is heated rapidly and expands. As a result water may penetrate the base of the appliance and trigger the anti-flood system.

Changing the wash programme

-  **1.** Turn the programme selector to the  position. The wash programme will stop.



Hot steam can escape from the appliance when the door is opened. Open the door carefully.

- 2.** Open dishwasher door and check whether there is still detergent in the container. Refill the container if necessary.
- 3.** Close the dishwasher door.
- 4.** Turn the programme switch clockwise to **A** or **B** (see "Programme Table").
- 5.** Turn the programme selector to the required programme (see "Programme Table"). The wash programme will start.

Interrupting the wash programme by opening the door of the dishwasher



Hot steam can escape from the appliance when the door is opened. Open the door carefully.




1. Open the door of the dishwasher. The wash programme will stop.
2. Shut the door. The wash programme will continue.

Switching Off the Dishwasher

When the wash programme is finished:



1. Turn the programme selector to the  position.



Hot steam may escape if the door is opened immediately after the end of the programme. Therefore:

2. Open the door carefully.

Emptying the Dishwasher



- Hot dishes are sensitive to knocks. The dishes should therefore be allowed to cool down before removing them from the appliance.
- Leave the dishes in the dishwasher for approx. 15 minutes after the end of the programme so that they dry better and can cool down.
- Empty the lower rack first, then the upper rack. In this way you will avoid any water left on the upper rack dripping onto the dishes in the lower rack and causing water spots.

Care and Cleaning



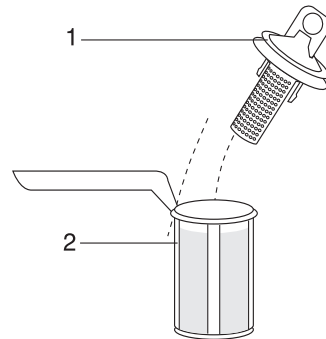
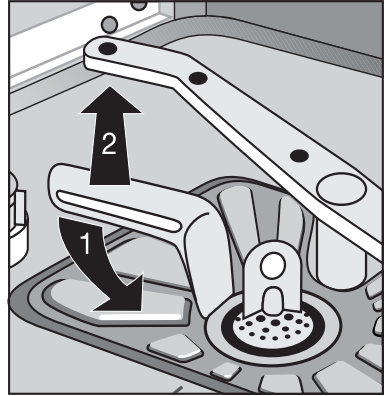
Do not under any circumstances use furniture care products or aggressive cleaners.

- If necessary, clean the controls only with a soft cloth and pure warm water.
- Occasionally check the internal containers, door seal, and water inlet for soiling, clean if necessary.

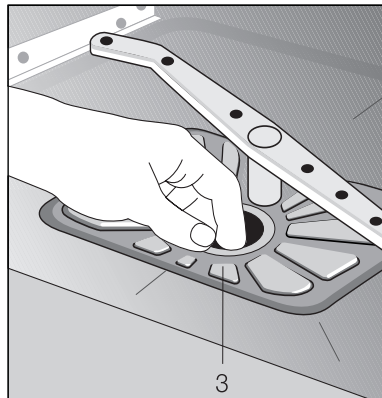
Cleaning the Filter

i The filters in the base of the washing compartment are to a large extent self-cleaning. Nevertheless the filters should be checked and cleaned from time to time. Dirty filters will degrade the washing result.

- 1.** Open the door, remove the lower rack.
- 2.** The dishwasher filter system comprises a coarse/fine filter, microfilter and a flat filter. Unlock the filter system using the handle on the microfilter, and remove.
- 3.** Turn the handle about $\frac{1}{4}$ a turn anti-clockwise and remove.
- 4.** Take hold of the coarse/fine filter (1) by the handle with the hole and remove from the microfilter (2)
- 5.** Clean all filters thoroughly under running water.
- 6.** Remove the flat filter (3) from the base of the washing compartment and clean both faces thoroughly



- 7.** Put the flat filter back in the base of the washing compartment
- 8.** Place the coarse/fine filter in the microfilter and press together.
- 9.** Put the filter combination in place and lock by turning the handle clockwise to the stop. During this process ensure that the flat filter does not protrude above the base of the washing compartment.



! Under no circumstances may the dishwasher be used without filters.

What to do, when ...

Try to rectify minor faults on the dishwasher with the aid of the instructions given here. If you call in customer service to resolve one of the malfunctions listed here, or rectify an error made in the operation of the appliance, the customer service engineer's visit is not free of charge, even during the period of guarantee.

...there are problems with the operation of the dishwasher.

Malfunction	Possible Cause	Remedy
The drain pump in the dishwasher runs continuously - even with the appliance switched off.	The anti-flood system has been triggered.	Close the tap, then unplug from the mains and contact customer service.
The programme does not start.	The door of the dishwasher is not closed properly.	Shut the door.
	Mains plug is not plugged in.	Insert mains plug.
	House fuse is defective.	Replace fuse.
	In the case of dishwasher models with start delay timer: A start delay is selected.	If dishes are to be washed immediately cancel delay start timer.
Rust spots are visible in the washing compartment.	The washing compartment is made of corrosion-resistant stainless steel. Rust spots in the washing compartment are from particles from outside the appliance (rust particles from the water pipe, from pans, cutlery, etc.). Remove such spots with a commercially available stainless steel cleaner.	Only wash cutlery and dishes that are suitable for dishwasher use.
		Close the lid of the special salt container securely.
There is a whistling noise during washing.	The whistling is not a cause for concern.	Use a different brand of detergent.

...the wash result is unsatisfactory.**The dishes are still dirty.**

- The wrong wash programme was selected.
- The dishes were arranged in such a manner that water has not reached all parts. The dish racks must not be overloaded.
- The filter in the base of the washing compartment is dirty or incorrectly positioned.
- Detergent was not used or too little was used.
- In the case of scale deposits on the dishes: the special salt container is empty or the water softener is incorrectly adjusted.
- The drain hose is incorrectly laid.

The dishes are wet and dull.

- Rinse aid was not used.
- The rinse aid container is empty.

There are streaks, milky spots or a bluish coating on glasses and dishes.

- Decrease rinse aid dosing.

There are dried water drops on the glasses and dishes.

- Increase rinse aid dosing.
- The detergent may be the cause. Contact the detergent manufacturer's consumer advisor.

Technical Data

Capacity:	12 place settings including serving dishes
Permitted Water Pressure:	1-10 bar (=10-100 N/cm ² = 0.1-1.0 MPa)
Electrical Connection:	Information on the electrical connection is given on the rating plate on the inner edge of the dishwasher door on the right.
Dishwasher: Free-Standing Appliances	
Dimensions:	850 x 600 x 600 (H x W x D in mm)
Max. Weight:	54 Kg
Dishwashers that Can Be Integrated, Built-In Dishwashers	
Dimensions:	820 – 880 x 596 x 570 (H x W x D in mm)
Max. Weight:	50 Kg
Dishwashers that Can Be Fully Integrated	
Dimensions:	820 – 880 x 596 x 546 - 550 (H x W x D in mm)
Max. Weight:	50 Kg

- CE** This appliance conforms with the following EU Directives:
- 73/23/EEG dated 19. 02. 1973 – Low Voltage Directive
 - 89/336/EEG dated 03. 05. 1989
(including Directive Amendment 92/31/EEG) – EMC Directive

Notes for Test Institutes

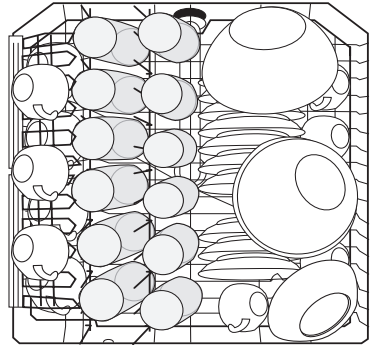
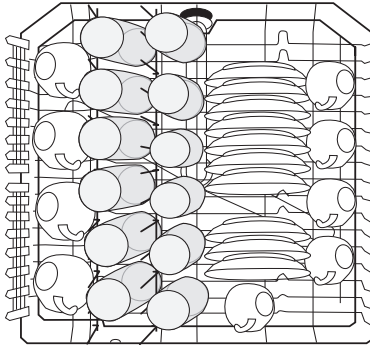
Testing in accordance with EN 60704 must be carried out with the appliance fully loaded and using the test programme (see Programme Table).

Tests in accordance with EN 50242 must be carried out when the salt dispenser and rinse aid container have been filled with salt and rinse aid respectively and using the test programme (see Programme Table).

	Full Load: 12 place settings incl. serving dishes	Half Load: 6 place settings incl. serving dishes, leaving alternate positions free
Detergent Dosing:	5g + 25g (Type B)	20g (Type B)
Rinse Aid Setting:	4 (Type III)	4 (Type III)

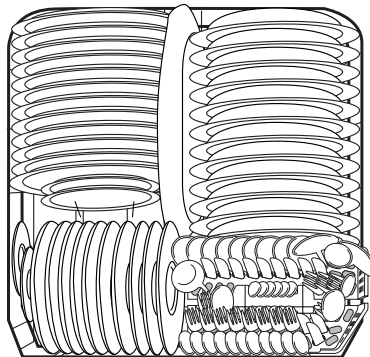
Sample loading arrangements:

Upper basket *

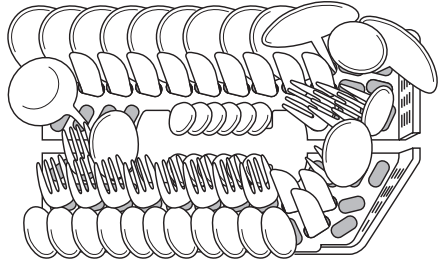


* If necessary, move the cup rest from right to left. When doing this, ensure that the cup rest is at the same height.

Lower basket with cutlery basket



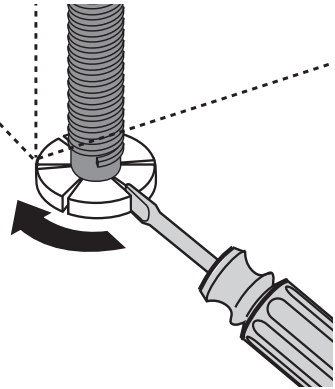
Cutlery basket



INSTALLATION AND CONNECTION INSTRUCTIONS

Installing the Dishwasher

- The dishwasher must be installed on a firm floor and adjusted to ensure that it is stable and level.
- To compensate for unevenness in the floor and to match the height of the appliance to that of surrounding units extend the threaded feet by unscrewing:
 - use a screwdriver.



- For built-in, integrated and fully integrated dishwashers, the rear feet should be adjusted from the front of the appliance using a screwdriver.
- The drain hose, inlet hose and mains cable must not be kinked or crushed when the dishwasher is in position.
- The dishwasher must also be screwed on tightly to the work surface or to the adjoining units. This is essential to ensure the dishwasher does not tip.

Dishwashers That Can Be Integrated

(see installation template supplied)



The door of the appliance can be fitted with a wooden furniture door with the following dimensions:

Width:	591 – 594 mm	
Thickness:	16 – 24 mm	
Height: (variable)	dependent on	<ul style="list-style-type: none"> – Recess height – Plinth height – The adjustment so that the unit matches the height of the adjoining units <p>The exact height of the adjoining units must be measured at the place of installation.</p>
Weight:	max. 8 kg	

Connecting the Dishwasher

Water Connection

The dishwasher is fitted with safety devices that prevent the wash water returning into the drinking water system and comply with the applicable plumbing regulations.

- The dishwasher can be connected to cold and hot water supplies up to max. 60 °C.
- The dishwasher **must not** be connected to open hot water appliances or instantaneous water heaters.

Permitted water pressure

Lowest permitted water pressure: 1 bar (=10 N/cm ² =100 kPa)	Consult your installer if the water pressure is less than 1 bar.
Highest permitted water pressure: 10 bar (=100 N/cm ² =1 MPa)	In the case of a water pressure greater than 10 bar, a pressure reduction valve must be used (available from your dealer).

Connect the inlet hose



The water inlet hose must not be kinked, crushed or entangled when it is being connected up.



Connect the threaded hose fitting (ISO 228-1:2000) on the water inlet hose to a tap with an external thread (¾ inch). The inlet hose is equipped either with a plastic or with a metal connection nut:

- **Tighten plastic** hose connection nuts **by hand** only.
- **Metal** hose connection nuts **must be tightened using an appropriate tool**. Finally, visually check that it is water-tight (ensure that the tap is not dripping).



- In order that access to the tap in the kitchen is not limited by the use of the dishwasher, we recommend the installation of an additional tap, or fitting a two way adapter to the existing tap.
- If you need a longer water inlet hose than that supplied, VDE approved complete hose sets are to be used. These are available from your local Service Force Centre.



The following section is only applicable to dishwashers that have a safety valve on the threaded hose fitting for the tap:

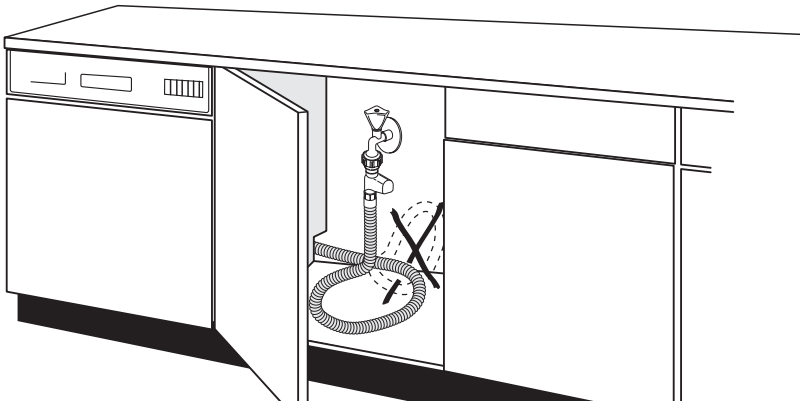
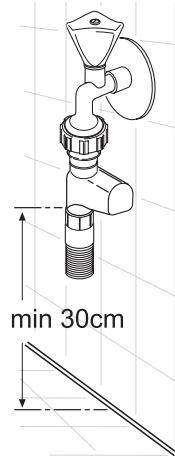
Water inlet hose with safety valve

After connecting the double-walled water inlet hose, the safety valve is next to the tap. Therefore the water inlet hose is only under pressure while the water is running. If the water inlet hose starts to leak during this operation, the safety valve cuts off the running water and the draining pump in the dishwasher is switched on.



Please take care when installing the water inlet hose:

- The distance between the bottom edge of the safety valve and the floor on which the dishwasher is standing must be at least 30 cm:
- The electrical cable for the safety valve is in the double-walled water inlet hose. Do not immerse the water inlet hose or the safety valve in water.
- If the water inlet hose or the safety valve is damaged, remove the mains plug immediately.
- A water inlet hose with safety valve must only be replaced by a specialist or Customer Services.
- Place the water inlet hose in such a way that it is never higher than the bottom edge of the safety valve.



Water drain

Drain hose

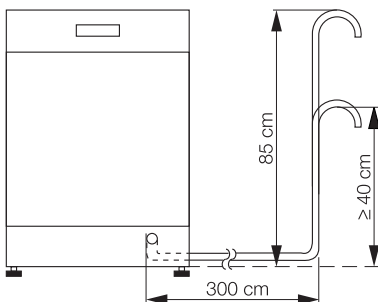


The drain hose must not be kinked, crushed or entangled.

- Connecting the drain hose:
 - Maximum permitted height: 1 metre.
 - Minimum required height 40 cm above the lower edge of the machine.

Extension hoses

- Extension hoses are available from your dealer or customer service. The internal diameter of the extension hoses must be 19 mm to ensure that the function of the appliance is not impeded.
- Extension hoses may be laid a maximum of 3 metres horizontally; the maximum permitted height for the connection for the drain hose is then 85 cm.



Sink outlet connection

- The outlet of the drain hose (\varnothing 19 mm) fits all commonly available sink outlet spigot types. The outer diameter of the spigot connection must be at least 15 mm.
- The drain hose must be fixed to the sink outlet connection using the hose clamp supplied.

If the dishwasher is fitted at a high position

If the dishwasher is installed at a high level, and the drain hose connection is less than 30 cm from the bottom of the appliance, adapter kit ET 111099520 must be fitted. This is available from Customer Service.

Water drain into wash basins (only possible with free-standing appliances)

In the case that you wish to hang the drain hose in a wash basin, use a detachable hose elbow. You can obtain this from AEG customer service under spare part number ET 646 069 190.



1. Fit the elbow to the drain hose.
2. Secure the drain hose against sliding off the edge of the wash basin. Pass a piece of cord through the hose elbow and fix it to the wall or the tap.

Leak Prevention System

For protection from damage due to water leaks, the dishwasher is equipped with a leak prevention system, the AQUA CONTROL SYSTEM. In the event of a fault, the safety valve in the appliance immediately interrupts the inflow of water and the drain pump is activated. By this means water can neither escape nor overflow. The remaining water in the appliance is automatically pumped out.



The leak prevention system also works when the appliance is switched off.

Electrical connection



In compliance with electric company technical requirements for mains connections, hard-wired connections to the mains may only be made by approved electricians.

When connecting the appliance, observe the German VDE regulations and, if applicable, any additional conditions required by your local electricity supplier. Following installation, live parts and live insulated wiring must not be accessible using a finger test in accordance with EN 60335/DIN VDE 0700.

Information on the electrical connection can be found on the rating plate on the right side of the inner edge of the dishwasher door. If the appliance has a change-over switch, the additional instructions on the change-over diagram in the mains connector box must be observed.

Prior to connecting ensure that the mains voltage and current rating at the site of installation match the nominal voltage and current rating given on the rating plate. The required fuse protection is also to be found on the rating plate.

To isolate the dishwasher from the mains, remove the mains plug.

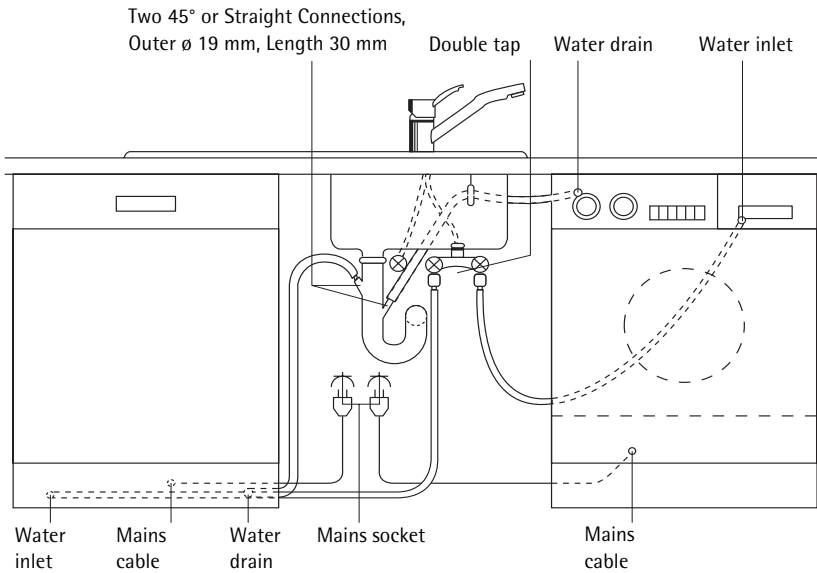
Important: The plug must still be accessible after the appliance has been installed.

If the appliance is hard-wired to the mains supply, then it must be safely isolated from the mains within the electrical installation with switches intended to ensure **all-pole(N,L1)** disconnection, shall be directly connected to the supply terminals and shall have a contact separation (fuses, cut outs, current trips or similar) of at least 3mm in each pole.

Connections

The water inlet and drain hoses, as well as the mains cable must be connected beside the dishwasher as there is insufficient space behind the appliance.

The plumbing and electrical installation example given below can only be regarded as a recommendation; the actual situation where the dishwasher is to be installed will define the exact installation (available connections, local electricity and water board regulations for connecting up appliances, etc.).



SERVICE DEPARTMENTS

Belgium

	Tel.:	Fax.:
Electrolux Home Products Belgium ELECTROLUX SERVICE Bergensesteenweg 719 1502 Lembeek	Consumer services 02/363.04.44	02/363.04.00 02/363.04.60
Province de Liège: S.D.E. Rue Gaucet 26 4020 Liege	04/343.11.60	04/343.47.68

GUARANTEE CONDITIONS

Belgium

DECLARATION OF GUARANTEE TERMS.

Our appliances are produced with the greatest of care. However, a defect may still occur. Our consumer services department will repair this upon request, either during or after the guarantee period. The service life of the appliance will not, however, be reduced as a result.

This declaration of guarantee terms is based on European Union Directive 99/44/EC and the provisions of the Civil Code. The statutory rights that the consumer has under this legislation are not affected by this declaration of guarantee terms.

This declaration does not affect the vendor's statutory warranty to the end user. The appliance is guaranteed within the context of and in adherence with the following terms:

1. In accordance with provisions laid down in paragraphs 2 to 15, we will remedy free of charge any defect that occurs within 24 months from the date the appliance is delivered to the first end user.
These guarantee terms do not apply in the event of use for professional or equivalent purposes.
2. Performing the guarantee means that the appliance is returned to the condition it was in before the defect occurred. Defective parts are replaced or repaired. Parts replaced free of charge become our property.
3. So as to avoid more severe damage, the defect must be brought to our attention immediately.
4. Applying the guarantee is subject to the consumer providing proof of purchase showing the purchase and/or delivery date.

5. The guarantee will not apply if damage caused to delicate parts, such as glass (vitreous ceramic), synthetic materials and rubber, is the result of inappropriate use.
6. The guarantee cannot be called on for minor faults that do not affect the value or the overall reliability of the appliance.
7. The statutory warranty does not apply when defects are caused by:
 - a chemical or electrochemical reaction caused by water,
 - abnormal environmental conditions in general,
 - unsuitable operating conditions,
 - contact with harsh substances.
8. The guarantee does not apply to defects due to transport which have occurred outside of our responsibility. Nor will the guarantee cover those caused by inadequate installation or assembly, lack of maintenance or failure to respect the assembly instructions or directions for use.
9. Defects that result from repairs or measures carried out by people who are not qualified or expert or defects that result from the addition of non-original accessories or spare parts are not covered by the guarantee.
10. Appliances that are easy to transport may be delivered or sent to the consumer services department. Home repairs are only anticipated for bulky appliances or built-in appliances.
11. If the appliances are built-in, built-under, fixed or suspended in such a way that removing and replacing them in the place where they are fitted takes more than half an hour, the costs that result therefrom will be charged for. Connected damage caused by these removal and replacement operations will be the responsibility of the user.
12. If, during the guarantee period, repairing the same defect repeatedly is not conclusive, or if the repair costs are considered disproportionate, in agreement with the consumer, the defective appliance may be replaced with another appliance of the same value. In this event, we reserve the right to ask for a financial contribution calculated according to the length of time it has been used.
13. A repair under guarantee does not mean that the normal guarantee period will be extended nor that a new guarantee period begins.
14. We give a twelve month guarantee for repairs, limited to the same defect.
15. Except in the event where liability is legally imposed, this declaration of guarantee terms excludes any compensation for damage outside the appliance for which the consumer wishes to assert his rights. In the event of legally admitted liability, compensation will not exceed the purchase price paid for the appliance.

These guarantee terms are only valid for appliances purchased and used in Belgium. For exported appliances, the user must first make sure that they satisfy the technical conditions (e.g.: voltage, frequency, installation instructions, type of gas, etc.) for the country concerned and that they can withstand the local climatic and environmental conditions. For appliances purchased abroad, the user must first ensure that they meet the qualifications required in Belgium. Non-essential or requested adjustments are not covered by the guarantee and are not possible in all cases.

Our consumer services department is always at your disposal, even after the guarantee period has expired.

Address for our consumer services department:

ELECTROLUX HOME PRODUCTS BELGIUM
Bergensesteenweg, 719 - 1502 LEMBEEK
Tel.: 02.363.04.44

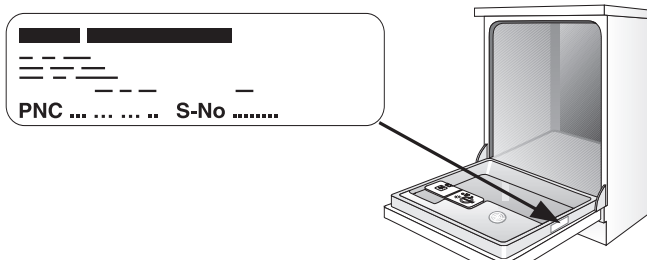
SERVICE

In the section "What to do, if..." the most important sources of faults that you can rectify yourself are summarised.

If, nevertheless, you call in customer service to resolve a problem listed in these instruction, or because of an error made in operating the appliance, the customer service engineer's visit is not free of charge, even during the warranty period.

If you can not find any information on a specific malfunction in these operating instructions, please contact customer service.

Please provide customer service the PNC number and the S No. (serial number), you can find these on the rating plate. The plate is on the inner edge of the door on the right.



So that you always have these numbers at hand, we recommend you to make a note of them here:

PNC :

S-No. :

 **From the Electrolux Group. The world's No. 1 choice.**

The Electrolux Group is the world's largest producer of powered appliances for kitchen, cleaning and outdoor use. More than 55 million Electrolux Group products (such as refrigerators, cookers, washing machines, vacuum cleaners, chain saws and lawn mowers) are sold each year to a value of approx. USD 14 billion in more than 150 countries around the world.

AEG Hausgeräte GmbH
Postfach 1036
D-90327 Nürnberg

<http://www.aeg.hausgeraete.de>

© Copyright by AEG

822 960 625 -00- 0603

Subject to change without notice